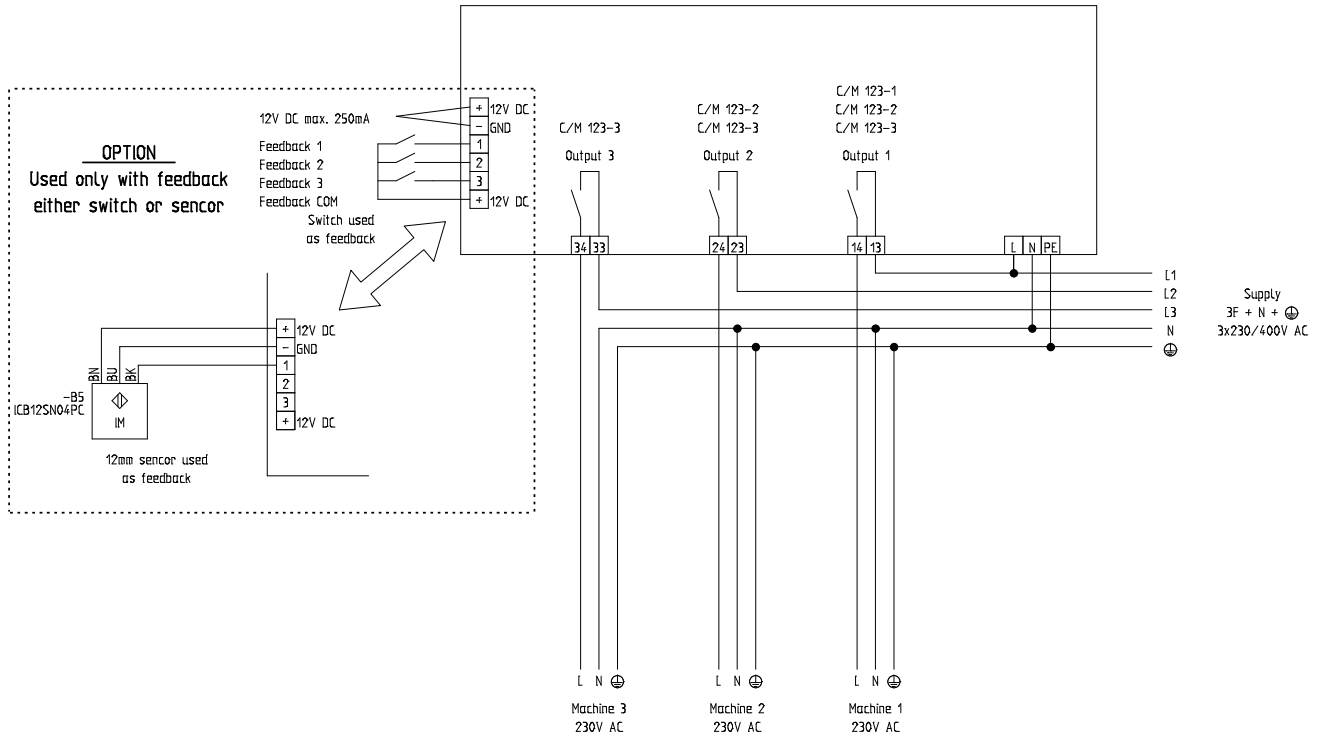


Setup diagram C123 / M123

With or without feedback, 230V machine



Setup diagram C123 / M123

Starting-signal, with or without feedback, 400V machine, industry.

